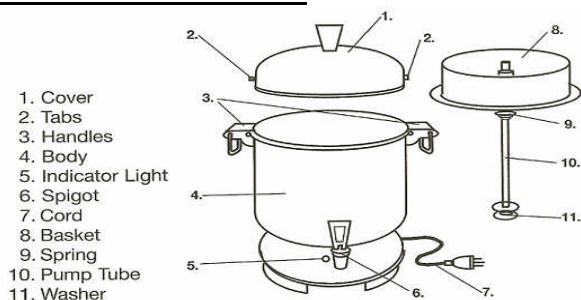


IMPORTANT SAFEGUARDS

1. Read all instructions.
2. Do not touch hot surfaces. Use handles or knobs.
3. To protect against electrical hazards, do not immerse cord, plugs, or base in water or other liquid.
4. Close supervision is necessary when any appliance is used by near children.
5. Unplug from outlet when not in use and before cleaning. Allow to cool before putting on or taking off parts, and before cleaning the appliance.
6. Do not operate any appliance with a damaged cord or plug, or *after* the appliance malfunctions, or has been damaged in any manner. Return appliance to the nearest authorized service facility for examination, repair or adjustment.
7. The use of accessory attachments not recommended or sold by FARBERWARE may cause hazards.
8. Do not use outdoors.
9. Do not let cord hang over edge of table or counter, or touch hot surfaces.
10. Do not place on or near a hot gas or electric burner, or in a heated oven.
11. Extreme caution must be used when moving an appliance containing hot oil or other hot liquids.
12. When connecting an appliance, always take hold of the plug - never the cord - and attach to appliance first, then plug into the wall outlet. To disconnect, turn the heat control to "OFF," then remove plug from wall outlet first, in the same manner.
13. This appliance has a polarized plug (one blade is wider than the other). As a safety feature, this plug will fit into a polarized outlet only one way. If the plug does not fit in the outlet, reverse the plug. If it still does not fit, contact a qualified electrician. Do not attempt to modify the plug in any way.

***Try NOT to use an extension cord if possible. If you must use an extension cord, use as short and thick a cord as possible!!!

USING THE COFFEE URN



1. Wash the coffee urn before using. (See cleaning instructions).
2. Remove cover and basket. Check to see that spigot is closed. Use cold, fresh tap water to fill coffee urn. **DO NOT OVERFILL OR UNDERFILL!** Fill according to markings on inside of urn for number of cups desired. Use cold tap as the automatic brewing cycle is timed to begin with a cold water start.

3. Wet coffee basket to help keep small particles of coffee from sifting through. Add desired amount of regular or percolator grind coffee to basket and place on the pump tube. The pump tube must be resting in the center well.

The following chart suggests amount of coffee to use for medium brew; amounts can be varied to suit personal taste and particular coffees.

BREWED CUPS	AMOUNT OF GROUND COFFEE TO USE*
12 - 18	1 - 1 ¼ Cups
20 - 25	1 ¼ - 1 ½ Cups
28 - 36	1 ½ - 2 Cups
40 - 45	2 - 2 ½ Cups
50 - 60	3 - 4 Cups
70 - 80	4 ½ - 5 Cups
90 - 100	5 ½ - 6 ¼ Cups

1 cup brewed coffee = 5 fluid ounces

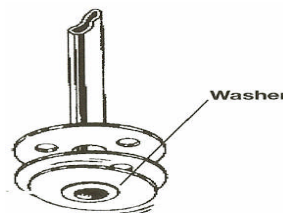
* Use standard Measuring cups

4. Replace the urn cover and secure in position by turning cover clockwise until cover tabs fit into handle slots
5. Plug into standard household 120 volt AC wall outlet. To avoid unnecessary strain on heating mechanism, **PLUG IN COFFEE URN AFTER THE WATER AND COFFEE ARE ADDED!!**
6. When coffee brewing is complete, percolating will stop and the red indicator light will come on. The urn automatically switches to "keep warm" setting to preserve fresh-tasting coffee at hot, ready-to-serve temperature.
7. For best flavor, remove coffee basket and pump tube when brewing is complete - **REMOVE PARTS CAREFULLY - COFFEE URN AND PARTS WILL BE HOT!!!!**
8. **Be sure to unplug the urn when only 1 to 2 cups of coffee remain.**

Hot fruit or wine punches may also be prepared in this urn!

CLEANING INSTRUCTIONS

- *After Each Use* (and before using for the first time): Always make sure plug is first removed from wall outlet. Let Coffee Urn cool. Remove cover, coffee basket, and pump tube carefully grounds and remaining coffee may still be warm.
- Wash Coffee Urn with water and detergent
- NEVER IMMERSIVE BASE OF URN.
- The cover, basket, and pump tube (with spring) may be placed in the dishwasher.
- NEVER WASH URN BODY IN DISHWASHER.
- Rinse all parts thoroughly and dry. Store with cover off.



Make sure the washer at bottom of pump tube remains loose. If coffee grounds lodge in this area, remove under running water or with a wooden pick. (See illustration.) Washer must remain loose remove coffee grounds if caught